

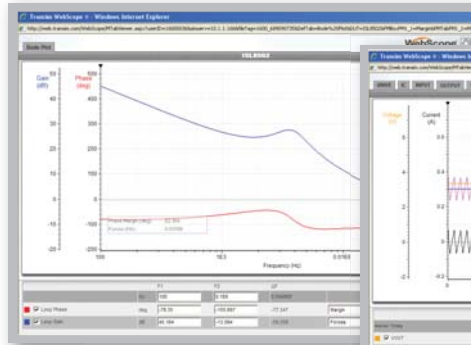


Power Design Made Easy with iSim™

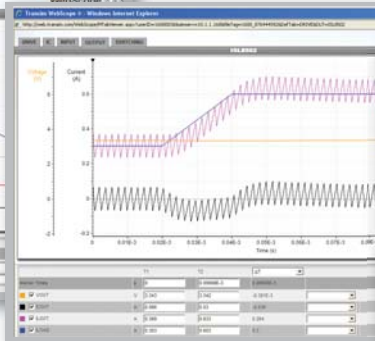
iSim™ Online Design Simulation Tool

www.intersil.com/isim

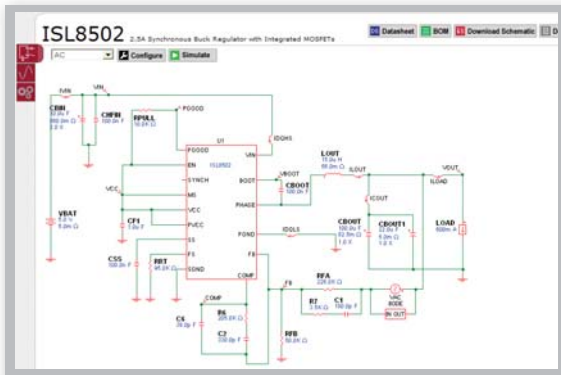
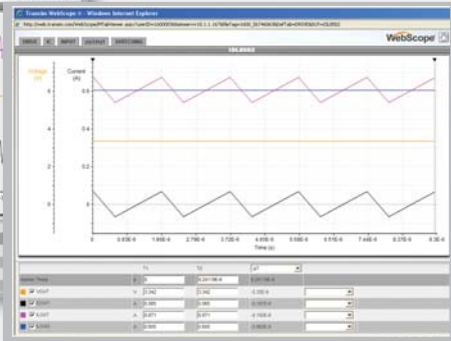
Plot the Frequency Response



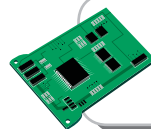
Generate Transient Graphs



Perform a Steady State Analysis



Easily Generate Schematics with Intersil's Parts



All power ICs from Intersil are supported with eval boards and samples.



www.intersil.com

1001 Murphy Ranch Road
Milpitas, CA 95035
North America 1-888-INTERSIL
International (01) 321-724-7143

ST-065.1 Printed in USA 9/09 © 2009 Intersil Americas Inc. All Rights Reserved.

Featured Integrated Power Solutions

Compact, Efficient, Flexible & Feature Rich

PROTEC GmbH

Vertrieb elektronischer Bauteile
Laurinweg 1 - 85521 Ottobrunn bei München
Telefon: 089-6 60 29 23 - Fax: 089-6 09 8170
sales@protec-semi.de - www.protec-semi.de

Ansprechpartner: Christian Mayer



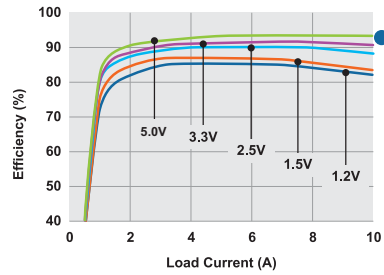
the EVOLUTION of ANALOG™

Highly-Integrated Power Conversion Module Saves Space, Reduces Cost and Simplifies Design

ISL8201M is an off-the-shelf power solution featuring a PWM controller, drivers, MOSFETs and all passive components in a thermally-enhanced tiny QFN package.

Excellent Thermal Performance

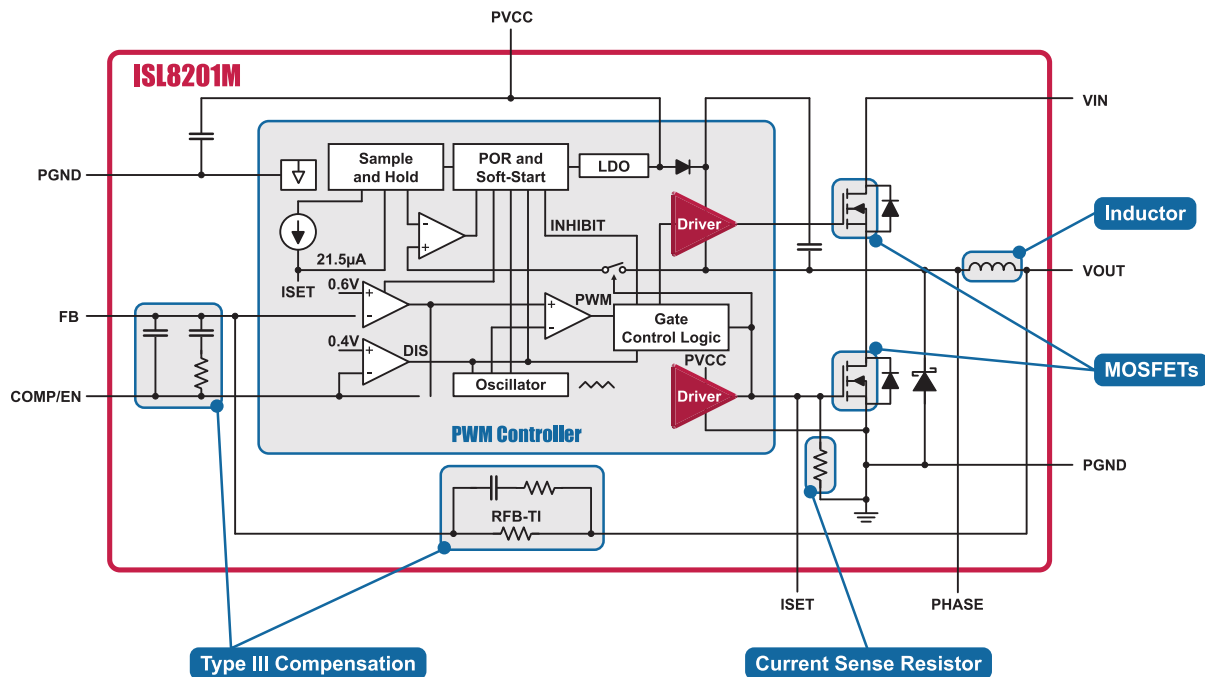
Optimizes heat transfer, eliminates heat sinks and improved reliability of end products



95% Peak Efficiency

Delivers 10A output current with up to 95% efficiency without the need for heat sinks or airflow to meet power specs

ISL8201M Efficiency vs Load Current (5VIN)



Typical Integrated Power Solutions

Part No.	V _{IN} (range) (V)	V _{OUT} (range) (V)	Rated O/P Current (A)	Typ. Dropout Voltage (mV)	PSRR (dB)	Features	Package (mm)
ISL9021	1.5 - 5.5	0.8 - 3.3	0.25	150	75	Single	4 Ball CSP (1.2x1) also available in μTDFN (1.6x1.6)
ISL9016	1.8 - 6.5	0.8 - 3.3	0.15	120	75	Dual	6 Ld μTDFN (1.6x1.6)
ISL80101/02/03	2.25 - 6	0.8 - 5	1/2/3	120	60	PGOOD, Enable, Adj. Soft-Start	10 Ld DFN (3x3)

Part No.	V _{IN} (range) (V)	V _{OUT} (range) (V)	Rated O/P Current (A)	F _{SW} (MHz)	Peak Eff. (%)	Features	Package (mm)
Synchronous Buck - Single							
ISL9104/A	2.7 - 6	0.8 - V _{IN}	0.5	4.3	93	PFM/PWM, Enable	6 Ld μTDFN (1.6x1.6)
ISL8009A	2.7 - 5.5	0.8 - V _{IN}	1.5	1.6	95	PFM/PWM, POR, Enable	8 Ld DFN (2x3)
ISL8012	2.7 - 5.5	0.8 - V _{IN}	2	1	95	PFM/PWM, PGOOD, Enable	10 Ld DFN (3x3)
ISL8013/14	2.7 - 5.5	0.8 - V _{IN}	3/4	1	96	Sync, PFM/PWM, PGOOD, Enable	16 Ld QFN (4x4)
ISL8502	4.5 - 14	0.6 - V _{IN}	2	0.5 to 1.2	92	Sync, PGOOD, Enable, Adj. Soft-Start, Programmable F _{SW}	24 Ld QFN (4x4)
ZL2106	4.5 - 14	0.6 - 5	6	0.2 to 1	89	PMBus Compliant Fully-Programmable Digital Control	32 Ld QFN (6x6)
Synchronous Buck - Dual							
ISL8088	2.7 - 5.5	0.6 - V _{IN}	0.8/0.8	2.25	95	Sync, PFM/PWM, PGOOD, Enable	10 Ld DFN (3x3)
ISL65426	3 - 5.5	1 - 4	1/5, 2/4, 3/3	1	94	Programmable Power Blocks (I _{OUT}), PGOOD, Enable	50 Ld QFN (5x10)

Part No.	V _{IN} (range) (V)	V _{OUT} (range) (V)	Rated O/P Current (A)	F _{SW} (MHz)	Peak Eff. (%)	Features	Package (mm)
ISL8201M	4.5 - 14.4	0.6 - 5	10	0.6	95	Integrated Magnetics, High Integration, Tight Accuracy, Up to 20V Operation with Ext Bias	15 Ld QFN (15x15x3.5)

Find the full selection guide of Integrated Power Solutions at www.intersil.com/power